

Valves Instruments Plus Ltd

Incorporating F. Ashton (ES) Ltd



Commercial Brassware & Sanitary



Thermostatic Mixing Valves 2 in 1 or 4 in 1	2
Thermostatic Group Failsafe Mixing Valves	3
Shower Panels	4
Timed Flow Shower Controls Vandal Resistant Shower Heads	5
TMV3 Thermostatic Shower Controls	6
Thermostatic Bar Shower Thermostatic Bath Filler	7
Chrome Shower Kits & Accessories	8
HTM64 Thermostatic Taps	9
HTM64 Pillar Taps Thermostatic Basin Mixer Tap	10
Non Concussive Taps	11
Manual Mixer Taps	12
Infra-Red Products	13
Doc M Packs	14 - 15
BTW or Wall Hung WCs	16
Close Coupled or Low Level WCs	17
Junior or Infant WCs	18 - 20
Basins & Pedestals	21 - 23
Vanity or Under Counter Basins	24
Belfast or Cleaner's Sinks	25
Exposed or Concealed Urinals	26
Waterless Urinals, Header Tank - Cisterns	27

TMV2 and TMV3 thermostatic failsafe mixing valves, 15mm or 22mm

Frequently Used Applications



- Thermostatic control
- Anti-scald failsafe technology
- Suitable for high and low pressure
- Integral check valves



Product Info

Temperature Range: 30° C - 50° C

Temperature Stability: ± 2° C

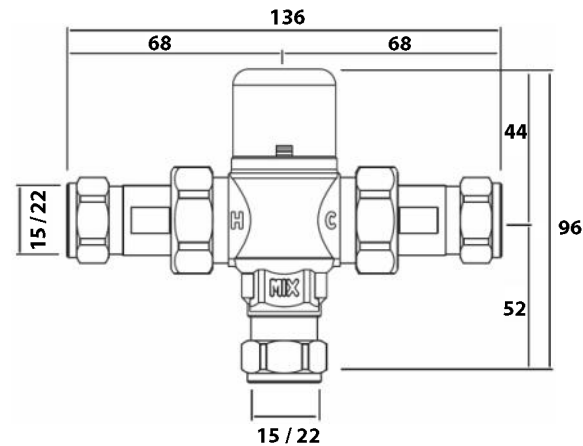
Max Inlet Temperature: 85° C

Max Operating Pressure: 10 Bar Static

Max Inlet Pressure: 0.2 Bar Dynamic

Min Failsafe Temperature: 10° C

Max Pressure Inlet Differential: 5:1



TMV2 and TMV3 approved thermostatic failsafe mixing valves with isolation valves, check valves, strainer and test points, 15mm or 22mm

Frequently Used Applications



- Thermostatic control
- Anti-scald failsafe technology
- Suitable for high and low pressure
- Integral check valves



Product Info

Temperature Range: 30° C - 50° C

Temperature Stability: ± 2° C

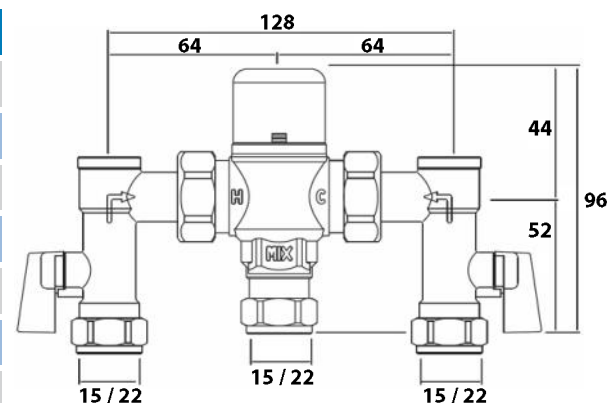
Max Inlet Temperature: 85° C

Max Operating Pressure: 10 Bar Static

Max Inlet Pressure: 0.2 Bar Dynamic

Min Failsafe Temperature: 10° C

Max Pressure Inlet Differential: 5:1



TMV2 Thermostatic group failsafe mixing valves, 22mm or 28mm

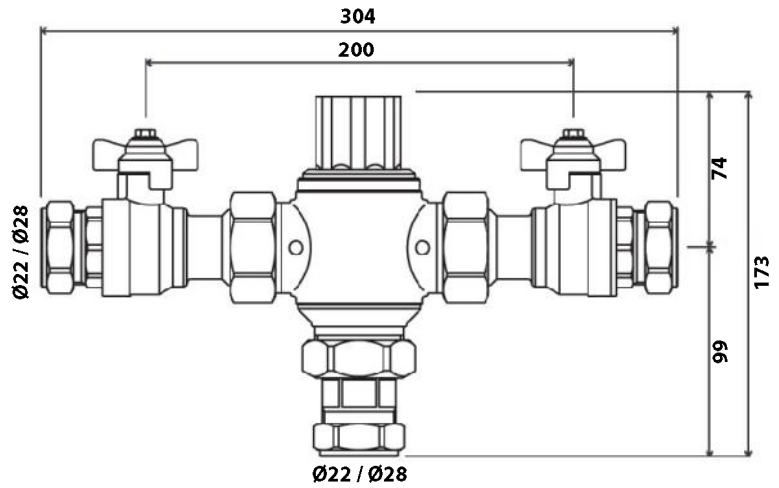
Frequently Used Applications



Commercial Leisure



- Thermostatic control
- Large flow rates with low pressure drops for group mixing
- Anti-scald failsafe technology
- Integral check valve and isolating ball valves



Product Info

Temperature Range: 30° C - 65° C

Temperature Stability: ± 2° C

Max Inlet Temperature: 85° C

Max Operating Pressure: 14 Bar Static

Max Inlet Pressure: 0.2 Bar Dynamic

Min Failsafe Temperature: 10° C

Max Pressure Inlet Differential: 2:1

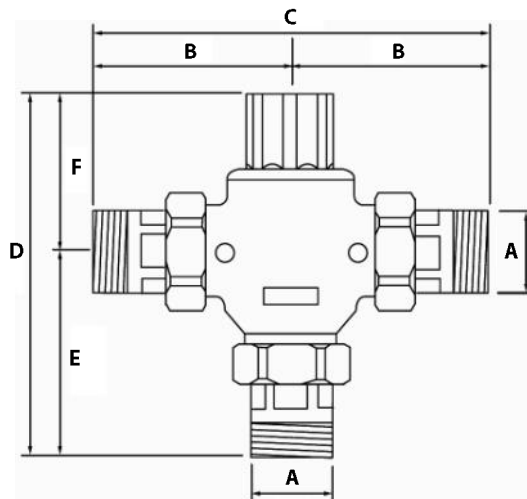
VIP Group Mix Pro

Thermostatic group failsafe mixing valves, available with 1 1/2" BSP and 2" BSP male unions

Frequently Used Applications



Commercial Leisure



A	B	C	D	E	F
1/2"	85	170	169	95	74
3/4"	85	170	169	95	74
1"	101	202	195	107	88
1 1/4"	101	202	195	107	88
1 1/2"	129	258	243	135	108
2"	129	258	243	135	108

Product Info

Temperature Range: 30° C - 65° C

Temperature Stability: ± 2° C

Max Inlet Temperature: 85° C

Max Operating Pressure: 14 Bar Static

Max Inlet Pressure: 0.2 Bar Dynamic

Min Failsafe Temperature: 10° C

Max Pressure Inlet Differential: 2:1

With push button timed flow control and adjustable shower head.

Frequently Used Applications



Commercial Leisure Education



- Timed flow control automatically closes the water
- Directional control of the shower head
- Limescale is easily removed with the rub clean shower head
- Compact lightweight design with optional 8 litre per minute flow regulator included

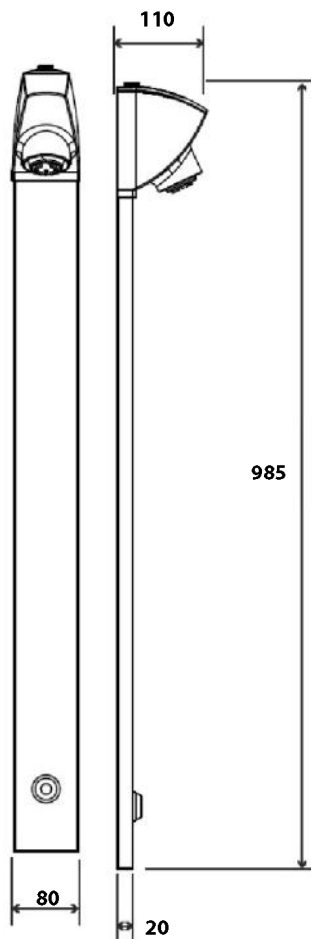
Product Info

Min Operating Pressure: 1 Bar Dynamic

Max Operating Pressure: 5 Bar

Timed Flow At 3 Bar: 30 Seconds ± 5

Directional Control Head



With thermostatic mixing valve, timed flow control and vandal resistant head.

Frequently Used Applications



Commercial Leisure Education



- Timed flow control automatically closes the water
- Includes thermostatic mixing valve
- Stainless steel panel

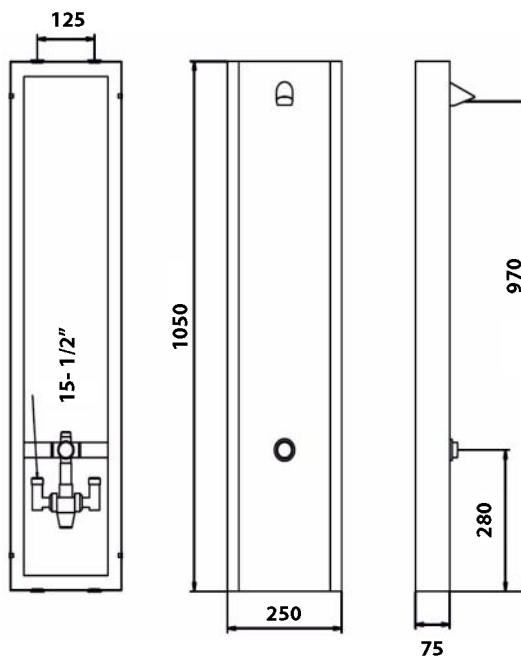
Product Info

Min Operating Pressure: 0.5 Bar Dynamic

Max Operating Pressure: 10 Bar Static

Min Temperature Differential To Achieve Failsafe: 15°C

Max Inlet Temperature: 65° C



Infra Red and Temperature Control options available.

Timed flow control - push button
vandal resistant exposed shower
control.

Frequently Used Applications



Commercial Leisure Education



Exposed **28/0202**



Concealed **28/0230**

Product Info

Min Operating Pressure: 0.2 Bar Dynamic

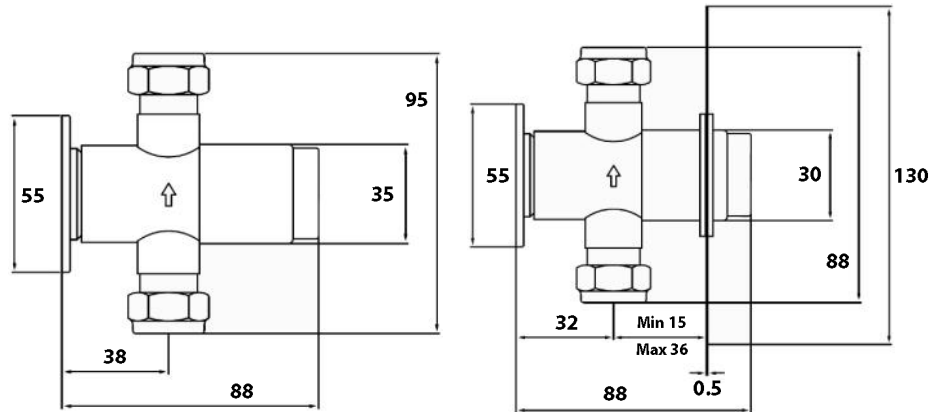
Max Operating Pressure: 10 Bar Static

Max Inlet Temperature: 65°C

Timed Flow At 1 Bar: 15/30 ± 3 Seconds

Inlet Connections: 15mm Compression

Outlet Connections: 15mm Compression



Vandal Resistant Shower Heads



Vandal resistant standard head,
bottom or back inlet connection **28/0224**

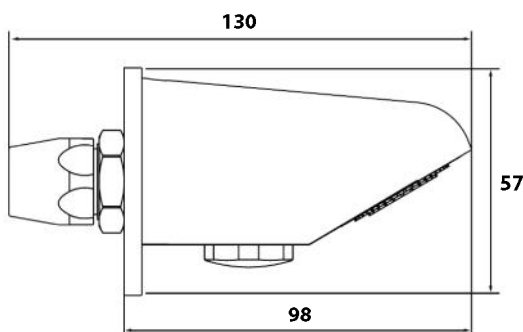


Vandal resistant anti-ligature head **28/0234**

Frequently Used Applications



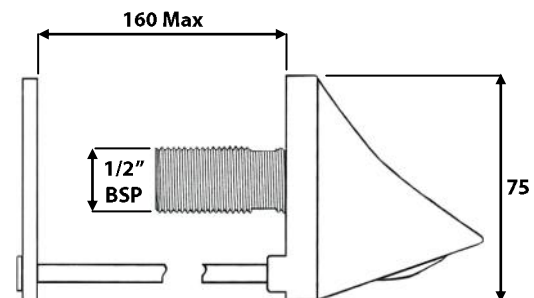
Education Healthcare
Commercial Leisure



Frequently Used Applications



Education Healthcare
Commercial Leisure

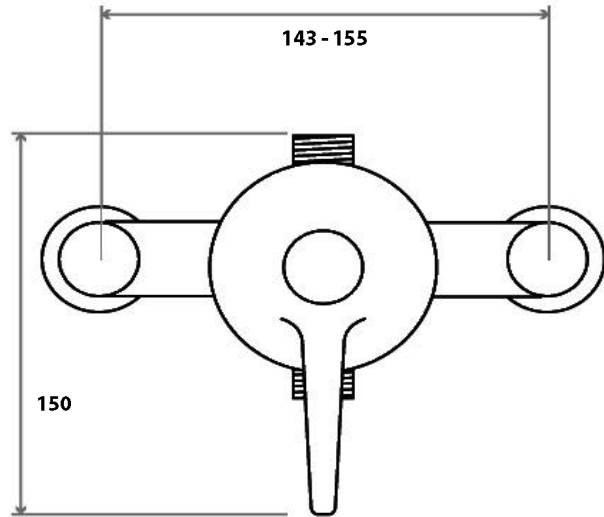


TMV3 exposed shower with top and bottom outlet

Frequently Used Applications



- Long lever to aid operation for users with limited dexterity
- Thermostatic sequential control
- Anti-scald failsafe technology
- Available in concealed, exposed with top and bottom connection or bottom only connection



Product Info
Max Inlet Pressure: 12 Bar Static
Min Inlet Pressure: 0.2 Bar Dynamic
Max Inlet Temperature: 85°C
Inlet Connections: 15mm Compression Elbows
Outlet Connections: G 1/2" BSP
Min Temperature Differential To Achieve Failsafe: 10°C
Thermostatic Cartridge

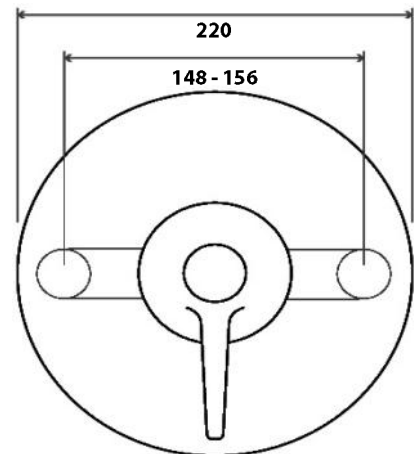
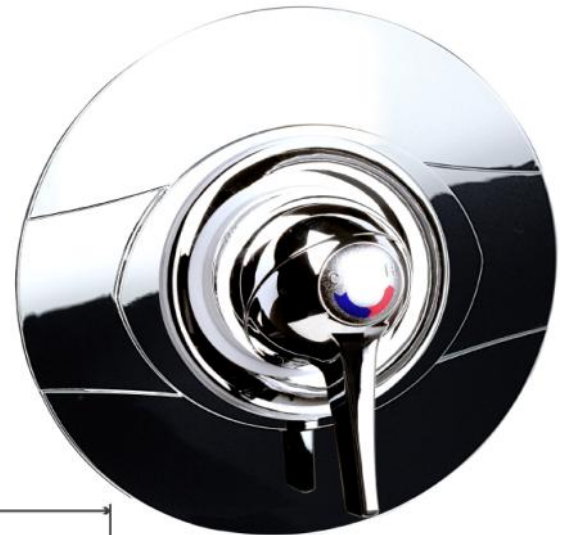


TMV3 concealed shower

Frequently Used Applications



- Long lever to aid operation for users with limited dexterity
- Thermostatic sequential control
- Anti-scald failsafe technology
- Available in concealed, exposed with top and bottom connection or bottom only connection



Product Info
Max Inlet Pressure: 12 Bar Static
Min Inlet Pressure: 0.2 Bar Dynamic
Max Inlet Temperature: 65°C
Inlet Connections: 15mm Compression Elbows
Outlet Connections: G 1/2" BSP
Min Temperature Differential To Achieve Failsafe: 10°C
Thermostatic Cartridge



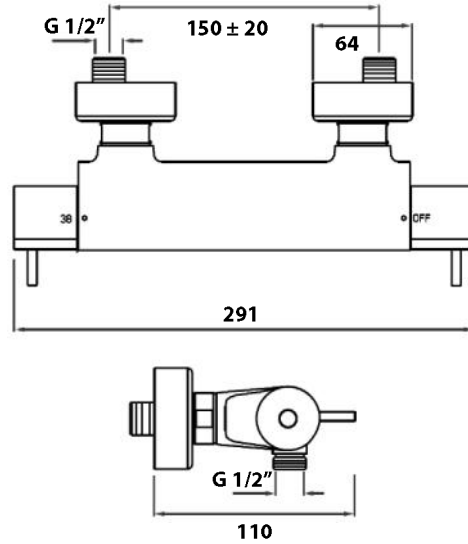
TMV3 thermostatic bar shower with safe touch technology

Frequently Used Applications



- Long lever to aid operation for users with limited dexterity
- Thermostatic sequential control
- Anti-scald failsafe technology
- Available in concealed, exposed with top and bottom connection or bottom only connection
- Lever operated two way diverter

Product Info
Max Inlet Pressure: 12 Bar Static
Min Inlet Pressure: 0.2 Bar Dynamic
Max Inlet Temperature: 85°C
Inlet Connections: 3/4" F (Body Only)
Outlet Connections: 1/2" M
Min Temperature Differential To Achieve Failsafe: 10°C
Thermostatic Cartridge & Flow Cartridge



Thermostatic Bath Filler

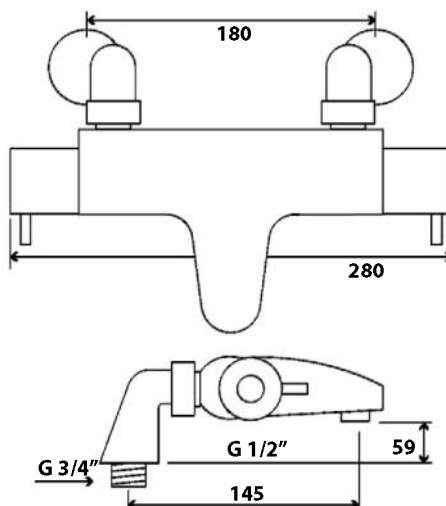
TMV3 bath filler tap fitted with anti scald technology.

Frequently Used Applications



- Long lever to aid operation for users with limited dexterity
- Thermostatic control with anti-scald failsafe technology
- Wall or deck mounted options
- Independent control of temperature or flow

Product Info
Max Inlet Pressure: 5 Bar Static
Min Inlet Pressure: 0.2 Bar Dynamic
Max Inlet Temperature: 85°C
Inlet Connections: G 3/4" F BSP (Valve Body)
Min Temperature Differential To Achieve Failsafe: 15°C
Thermostatic Cartridge





Single function head
28/0225



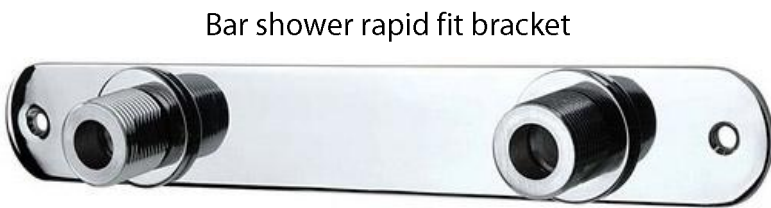
Multi-function head
28/0218



Multi-function head
28/0215

VIP chrome shower kits

Frequently Used Applications



Bar shower rapid fit bracket

28/0229



Commercial shower arms

28/0223



Flow restrictors

02/0159

Safe touch thermostatic sequential wall mounted tap

Frequently Used Applications



- Lever operation with progressive thermostatic mixing
- Complete safe touch body
- Isolation valves, check valves and filters accessible without removing the panel or demounting the tap
- Smooth internal surfaces
- HTM04-01 compliant flow outlet and self-draining spout
- Built in sterilisation method
- Complies with HTM64 (2006), HTM04-01, PRH8941.0.6, HBN00.09
- Removable spout for autoclaving

Product Info
Min Operating Pressure: 0.2 Bar Dynamic
Max Operating Pressure: 12 Bar Static
Max Inlet Temperature: 85°C
Inlet Connections : G 1/2" M BSP



HTM64 (TB/H6) Infra Red Thermostatic Taps

Safe touch infrared thermostatic wall mounted tap

Frequently Used Applications



- Infra red operation—wave on / off with 60 second pre-set flow time
- Complete safe touch body
- Isolation valves, check valves and filters accessible without removing or demounting the tap
- Smooth internal surfaces
- 24 hour automatic hygiene flush
- HTM04-01 compliant flow outlet and self-draining spout
- Built in sterilisation method
- Complies with HTM64 (2006), HTM04-01, PRH8941.0.6, HBN00.09
- Removable spout for autoclaving

Product Info
Min Inlet Pressure: 1 Bar Dynamic
Max Inlet Pressure: 10 Bar Static
Max Inlet Temperature: 85°C



Basin pillar tap with lever



High neck pillar sink tap



28/0287

Frequently Used Applications

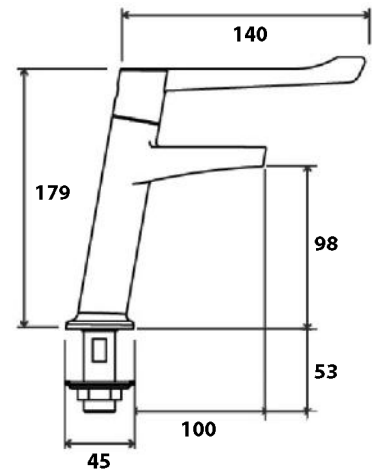
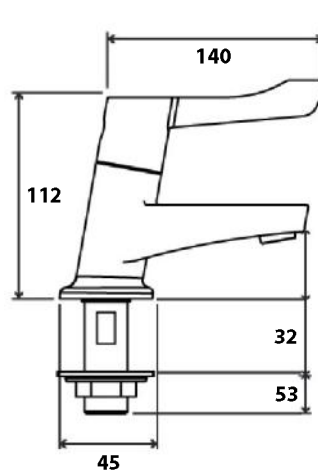


Product Info

Min Operating Pressure: 0.3 Bar Dynamic

Max Operating Pressure: 10 Bar Static

Self Draining Spout



VIP Safe Touch Thermostatic Basin Mixer Tap

28/0281

TMV3 sequential thermostatic basin mixer taps

- Thermostatic control with anti-scald failsafe technology
- Smooth sequential lever operated control to aid functional use for users with limited dexterity
- Safe touch body, surface remains cool to touch during operation
- Smooth internal water ways
- Self-draining spout
- DDA compliant
- Copper inlet connections



Frequently Used Applications



Product Info

Max Inlet Temperature: 85°C

Factory Set Temperature: 43°C

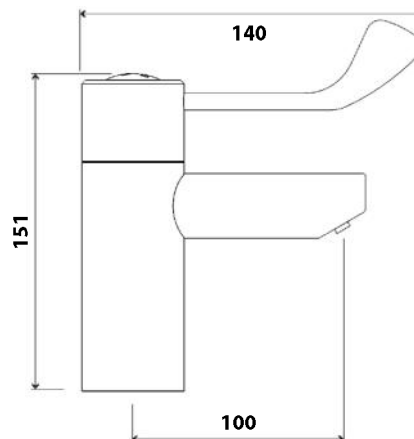
Temperature Stability: $\pm 2^\circ\text{C}$

Max Operating Pressure: 10 Bar Static

Min Inlet Pressure: 0.2 Bar Dynamic

Min Temperature To Achieve Failsafe: 10°C

Max Pressure Inlet Differential: 5:1



Contemporary style **28/0294**



Frequently Used Applications



Education



Commercial



Leisure



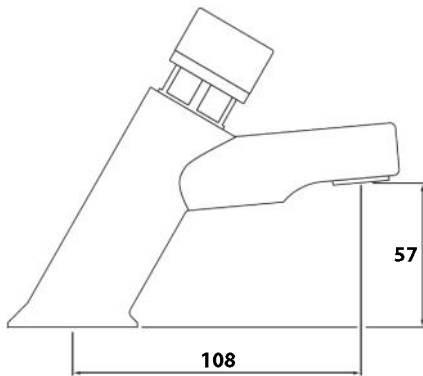
Product Info

Min Operating Pressure:
0.2 Bar Dynamic

Max Operating Pressure:
10 Bar Static

Timed Flow At 1 Bar:
15 Seconds ± 3

Connections: G 1/2" BSP



Standard style **28/0282**



Frequently Used Applications



Education



Commercial



Leisure



Product Info

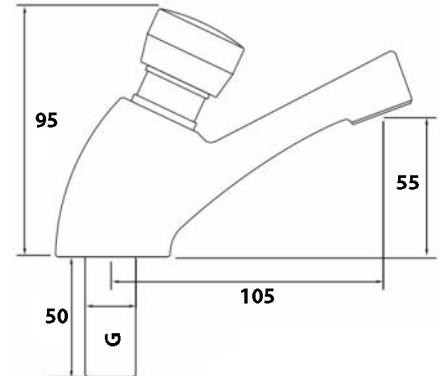
Min Operating Pressure:
0.2 Bar Dynamic

Max Operating Pressure:
10 Bar Static

Timed Flow At 1 Bar: 15
Seconds ± 3

Max Basin Thickness:
26mm

Connections: G 1/2" BSP



Pillar Taps

28/0283

Push Taps

28/0313



Lever operated 1/4 turn basin pillar taps

Frequently Used Applications



Healthcare



Commercial



Education



Less Able



Leisure



- Features 1/4 turn ceramic disc and flow straightener
- Smooth sequential lever operated control to aid functional use for users with limited Dexterity

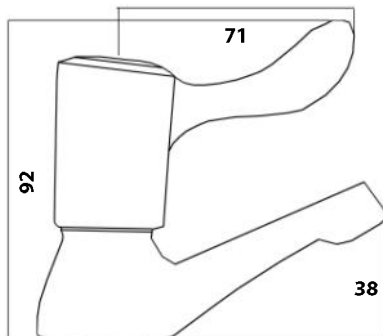
Product Info

Max Inlet Pressure: 5 Bar

Min Inlet Pressure:
0.2 Bar

Connections: G 1/2" Inlet
Tail & Plastic Back Nut

AUK2 Air Gap



Multi-directional non concussive basin mounted vandal resistant tap



Frequently Used Applications



Education



Leisure



Commercial



Less Able



Product Info

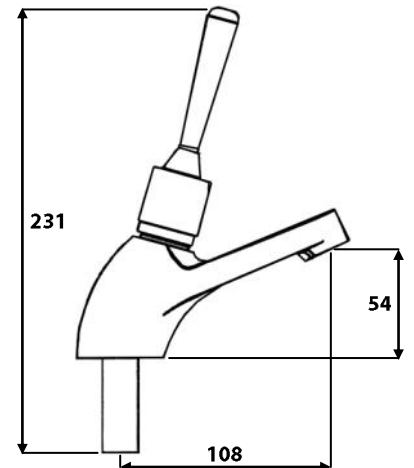
Min Operating Pressure:
0.2 Bar Dynamic

Max Operating Pressure:
10 Bar Static

Timed Flow At 1 Bar:
15 Seconds ± 3

Max Basin Thickness: 26mm

Connections: G 1/2"



Non concussive basin mounted manual mixer tap

- Timed flow control automatically closes the tap
- Temperature adjustable
- Copper inlet connections
- Intended for use with VIP TMVs

Frequently Used Applications



Product Info

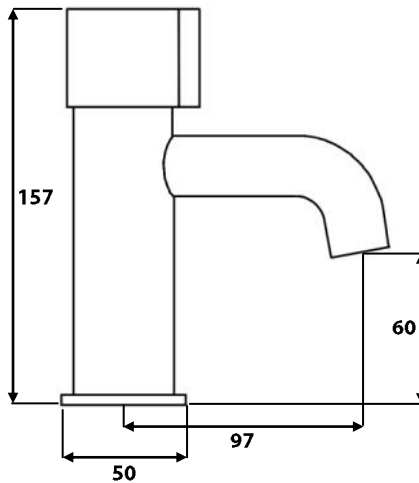
Min Operating Pressure: 0.5 Bar Dynamic

Max Operating Pressure: 5 Bar Static

Timed Flow At 1 Bar: 15 Seconds ± 3

Max Basin Thickness: 45mm

Connections: 10mm Copper Tails



1/4 turn sequential basin mixer taps

Frequently Used Applications



- Maximum temperature limiting stop
- Smooth sequential lever operated control to aid functional use for users with limited Dexterity

Product Info

Min Operating Pressure: 0.2 Bar

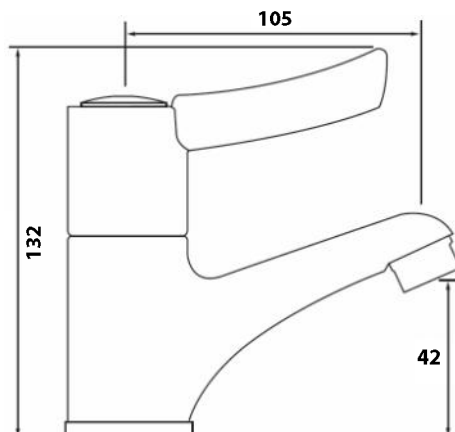
Max Operating Pressure: 5 Bar

Preferred Operating Range: 2 - 5 Bar

Max Basin Thickness: 36mm

Connections: G 1/2" Flexible Tails

Connections: 10mm Copper Tails

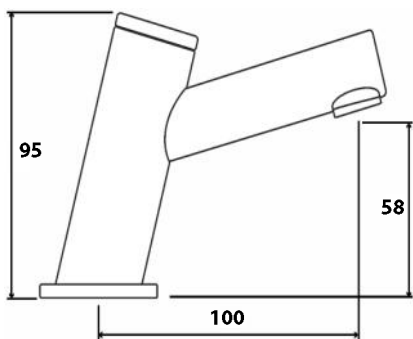


Touch operated tap, available battery operated or mains operated.



Product Info	
Min Operating Pressure:	0.5 Bar Dynamic
Max Operating Pressure:	8 Bar Static
Factory Set Flow Time:	8 Seconds
Flow Time Adjustment Range:	1-60 Seconds
Max Inlet Temperature:	70°C
Max Basin Thickness:	26mm
Connections:	G 1/2" BSP / 10mm

Frequently Used Applications

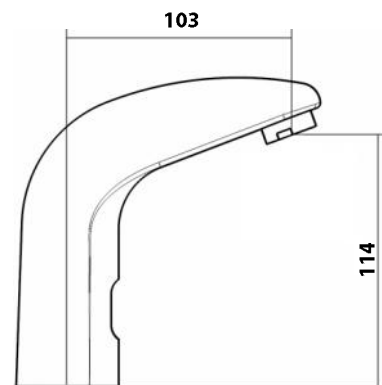


Infrared contemporary basin mounted tap, available battery operated or mains operated.



Product Info	
Min Operating Pressure:	1 Bar Dynamic
Max Operating Pressure:	8 Bar Static
Max Inlet Temperature:	70°C
Max Basin Thickness:	26mm
Connections:	Copper Tail 10mm
24 Hour Hygiene Flush	

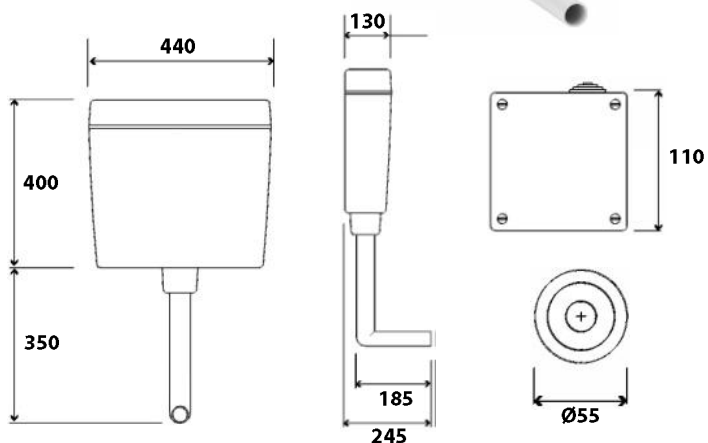
Frequently Used Applications



Concealed cistern, flush valve, inlet and infrared sensor.



Frequently Used Applications



Wall mounted, vandal resistant tap.



Frequently Used Applications



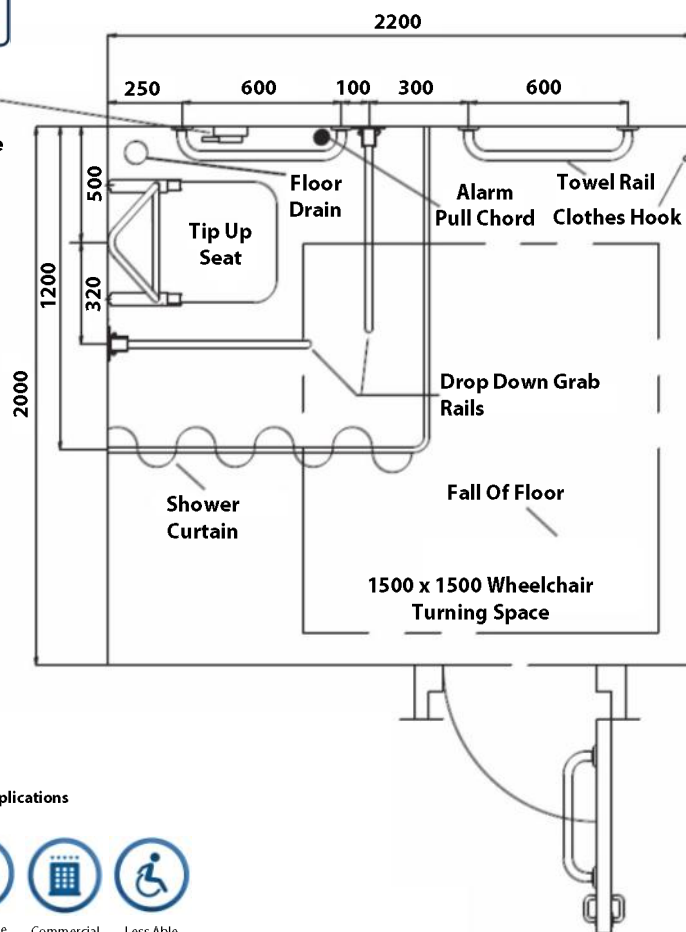
Description	
Infrared tubular tap - 170mm length (battery operated)	28/0668
Infrared tubular tap - 170mm length (mains operated)	28/0662
Infrared tubular tap - 220mm length (battery operated)	28/0669
Infrared tubular tap - 220mm length (mains operated)	28/0663

Exposed and concealed version available.



Description	
White Rails	28/2093/000
Blue Rails	28/2093/001

Frequently Used Applications



Doc M pack with close coupled WC

Frequently Used Applications



Product Info

Lantac Approved Pack

High Rise Pan

6 Litre Single Flush

Four Holes For Secure Pan Fixing

Lift Up Support Rail

Left Or Right Handed Options Available



Doc M pack with low level WC

Frequently Used Applications



Product Info

Lantac Approved Pack

High Rise Pan

6 Litre Single Flush

Four Holes For Secure Pan Fixing

Lift Up Support Rail

Left Or Right Handed Options Available



Doc M BTW Pack

Doc M pack with rimless back to wall WC

Frequently Used Applications



Product Info

Lantac Approved Pack

High Rise Pan

4/2.6 Litre Single Flush

Four Holes For Secure Pan Fixing

Lift Up Support Rail

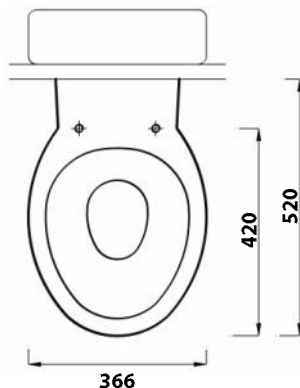
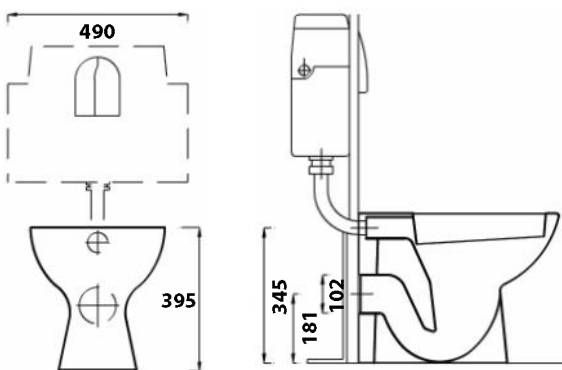
Left Or Right Handed Options Available

HBN00-10 Part C Compliant
(Previously known as HTM64)



Back to wall vitreous china WC pan.

Frequently Used Applications

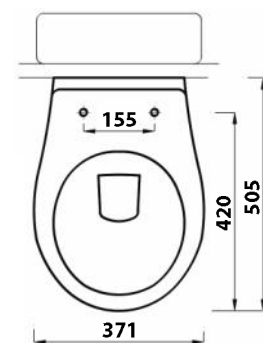
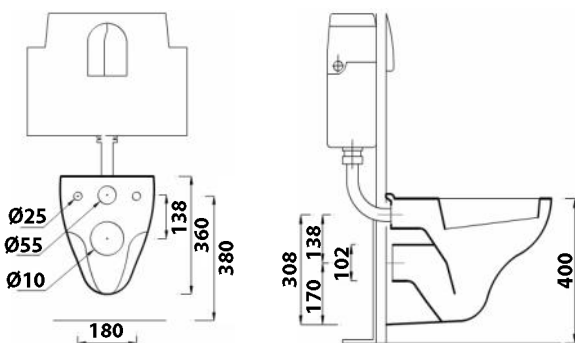


Product Info
6 & 4 Litre Dual Flush
Available With Concealed Cistern And Optional Push Plate (Pictured)
Standard Seat With Stainless Steel Hinges As Standard. Optional Soft Close Seat Upgrade
Ceramic Lifetime Guarantee



Wall hung vitreous china WC pan.

Frequently Used Applications



Product Info
6 & 4 Litre Dual Flush
Available With Fixing Frame Including Concealed Cistern And Push Plate
Standard Seat With Stainless Steel Hinges As Standard. Optional Soft Close Seat Upgrade
Ceramic Lifetime Guarantee

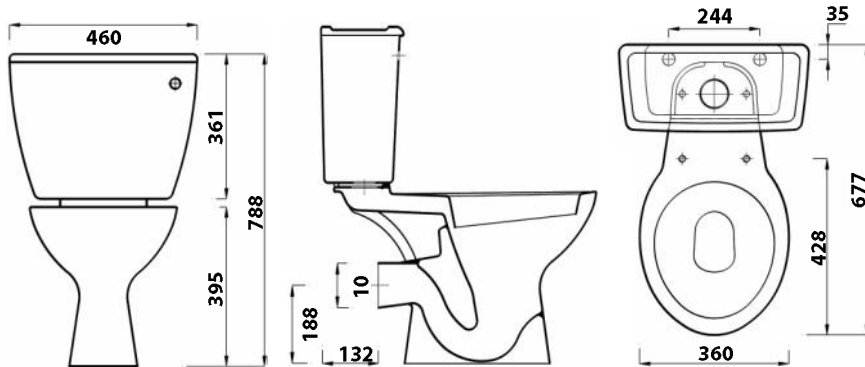


WC with lever fittings, pre-installed lever cistern and standard seat.

Frequently Used Applications



Commercial Leisure Education Hotels



Product Info

6 & 4 Litre Dual Flush

Chrome Effect Lever

Optional Soft Close Seat Upgrade

Ceramic Lifetime Guarantee



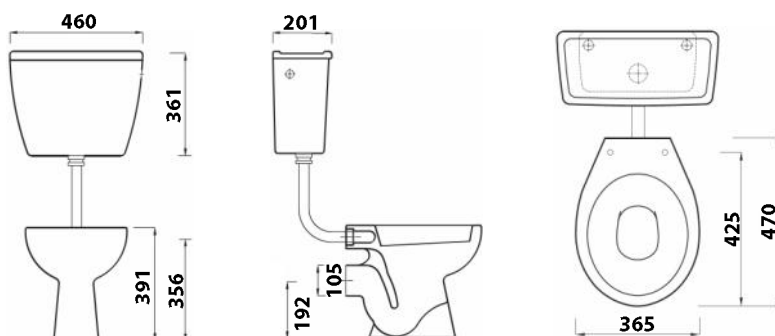
Low Level WC

WC with low level pan and cistern. Standard seat with stainless steel hinges. Push button cistern also available.

Frequently Used Applications



Commercial Leisure Education



Product Info

Modern Design

Dedicated Seat And Cover

Also Available As BIBO With Conversion Kit

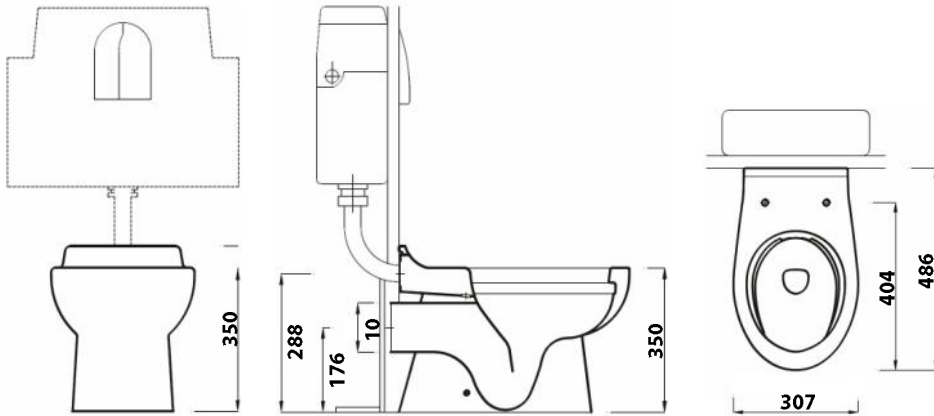
Suitable For Domestic, Leisure, Hotel, Commercial



Frequently Used Applications



Education



Product Info

4 & 2.6 Litre Dual Flush

Rimless Design

HBN 00-10 Part C Compliant (Previously HTM64)

Optional Soft Close Seat Upgrade

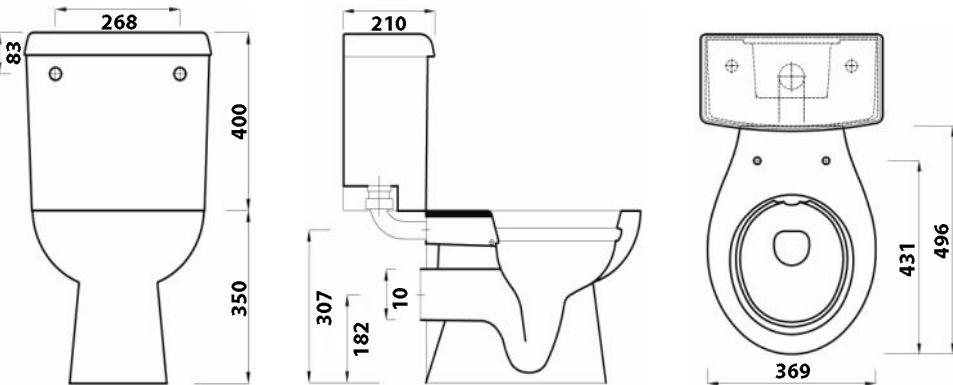
Ceramic Lifetime Guarantee



Frequently Used Applications



Education



Product Info

4 & 2.6 Litre Dual Flush

Rimless Design

HBN 00-10 Part C Compliant (Previously HTM64)

Optional Soft Close Seat Upgrade

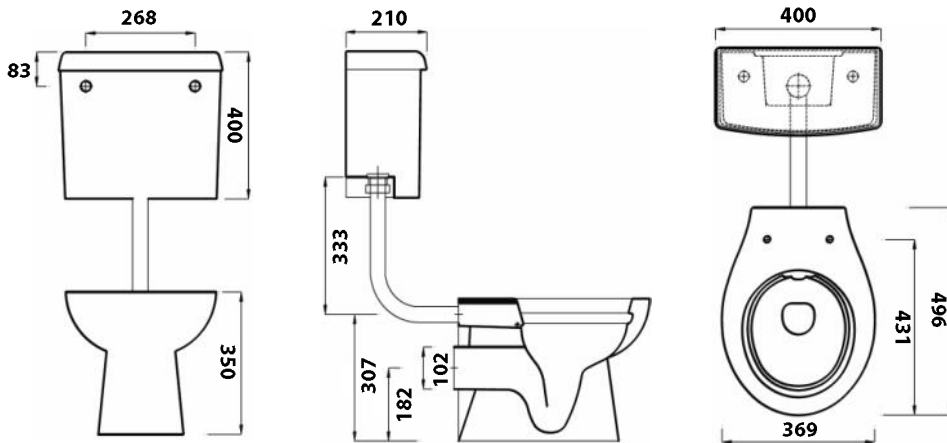
Ceramic Lifetime Guarantee



Frequently Used Applications



Education



Product Info	
4 & 2.6 Litre Dual Flush	
Rimless Design	
HBN 00-10 Part C Compliant (Previously HTM64)	
Optional Soft Close Seat Upgrade	
Ceramic Lifetime Guarantee	

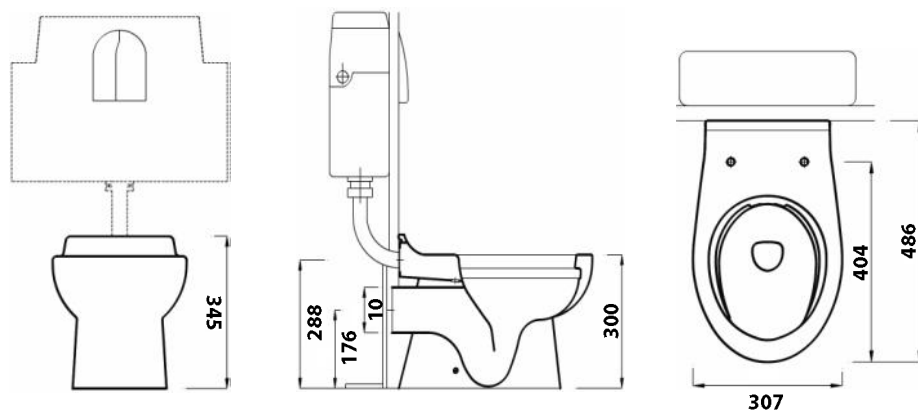


300mm Infant Back To Wall Rimless School WC

Frequently Used Applications



Education



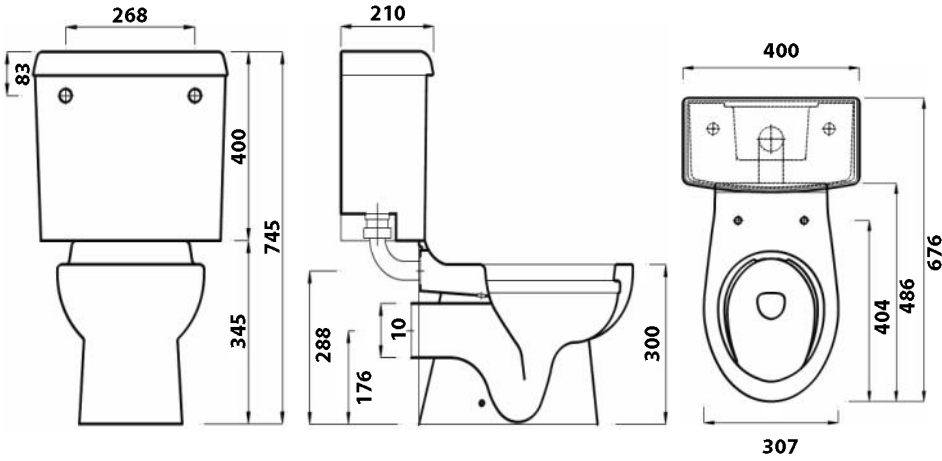
Product Info	
4 & 2.6 Litre Dual Flush	
Rimless Design	
HBN 00-10 Part C Compliant (Previously HTM64)	
Optional Soft Close Seat Upgrade	
Ceramic Lifetime Guarantee	



Frequently Used Applications



Education



Product Info

4 & 2.6 Litre Dual Flush

Rimless Design

HBN 00-10 Part C Compliant (Previously HTM64)

Optional Soft Close Seat Upgrade

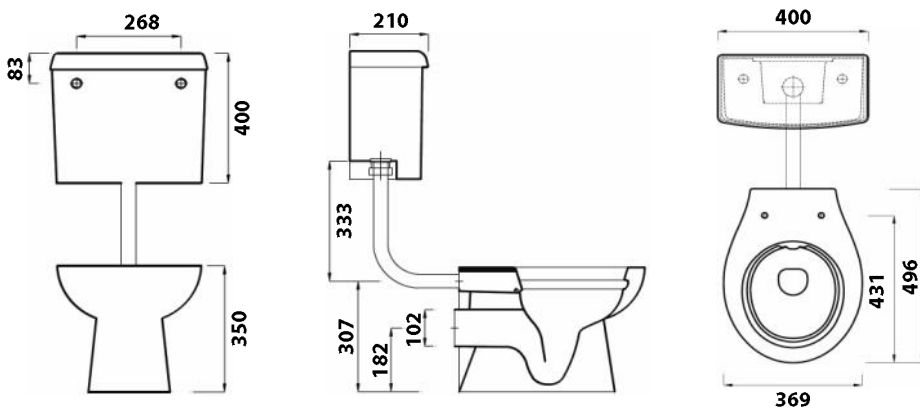
Ceramic Lifetime Guarantee



Frequently Used Applications



Education



Product Info

4 & 2.6 Litre Dual Flush

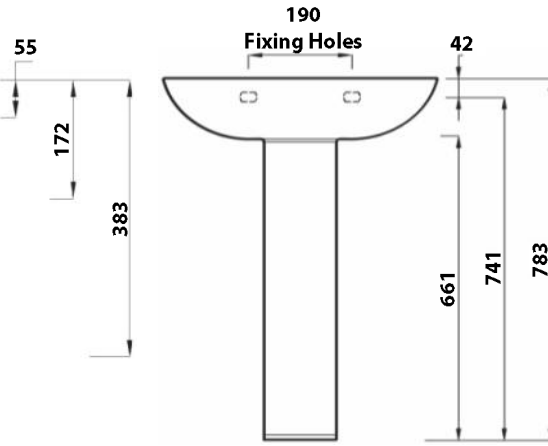
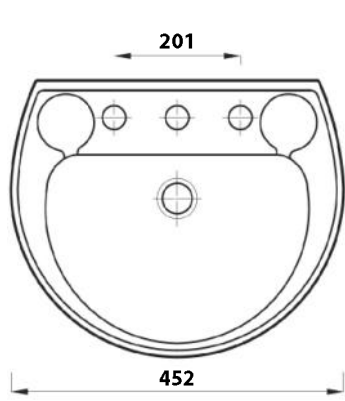
Rimless Design

HBN 00-10 Part C Compliant (Previously HTM64)

Optional Soft Close Seat Upgrade

Ceramic Lifetime Guarantee





Basin **130/1700/450**
Full Pedestal **130/1712/000**

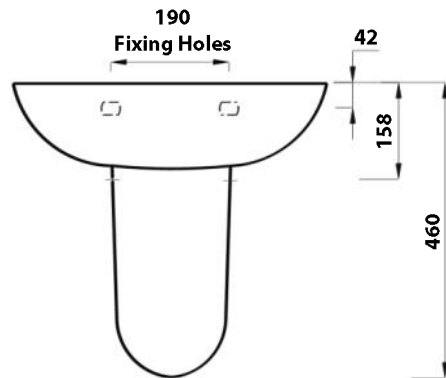
Frequently Used Applications



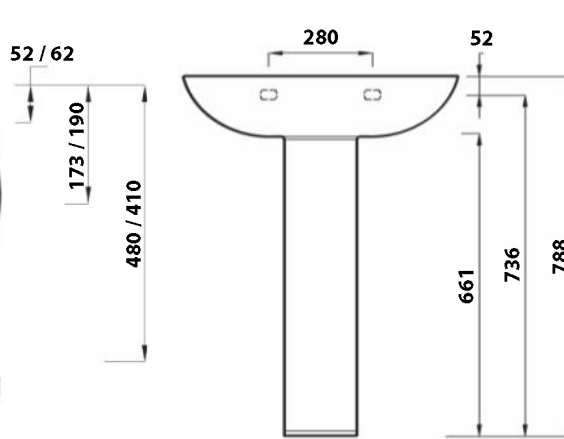
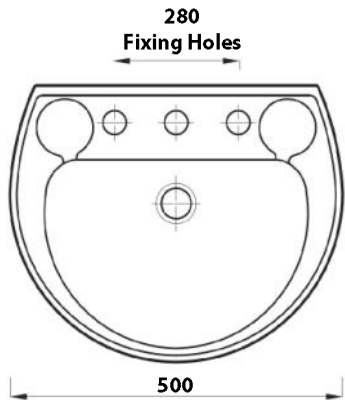
Product Info

Basin With 1 or 2 Tap Holes

With Mono Basin Mixer / Pillar Taps (Optional)



Basin **130/1700/450**
Semi Pedestal **130/1712/001**



Basin **130/1700/500**
Full Pedestal **130/1712/000**

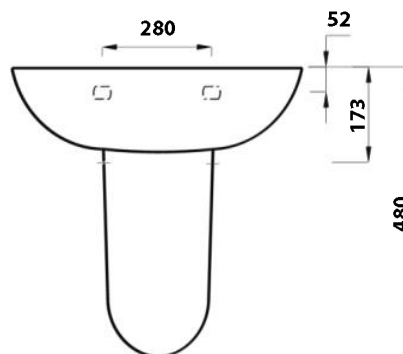
Frequently Used Applications



Product Info

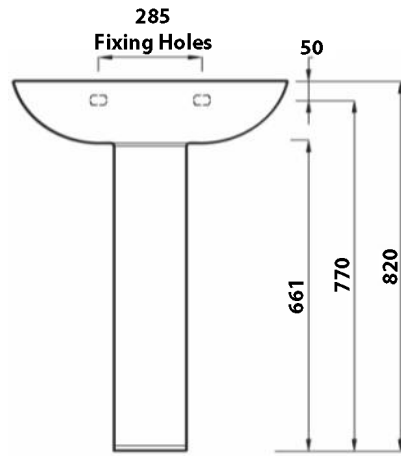
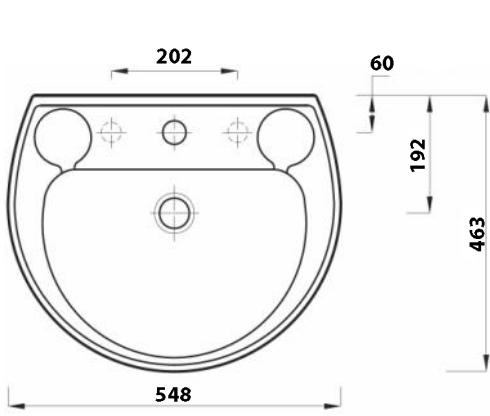
Basin With 1 or 2 Tap Holes

Mono Basin Mixer / Pillar Taps (Optional)



Basin **130/1700/500**
Semi Pedestal **130/1712/001**

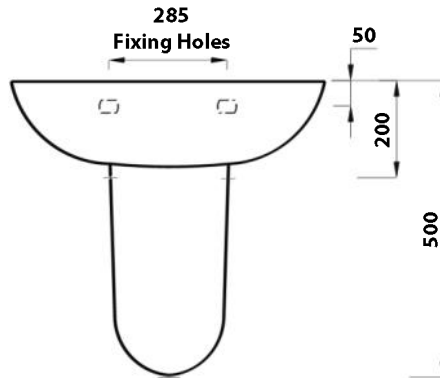




Frequently Used Applications



Basin **130/1700/550**
Full Pedestal **130/1712/000**



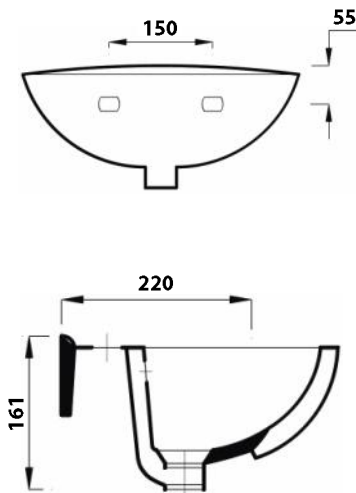
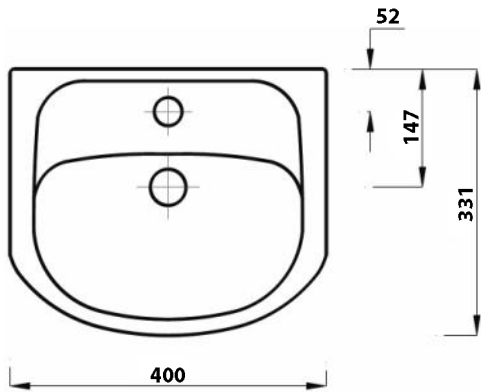
Basin **130/1700/550**
Semi Pedestal **130/1712/001**

Product Info

Basin With 1 / 2 Tap Holes

Mono Basin Mixer / Pillar Taps (Optional)

Overflow & Chain



Frequently Used Applications

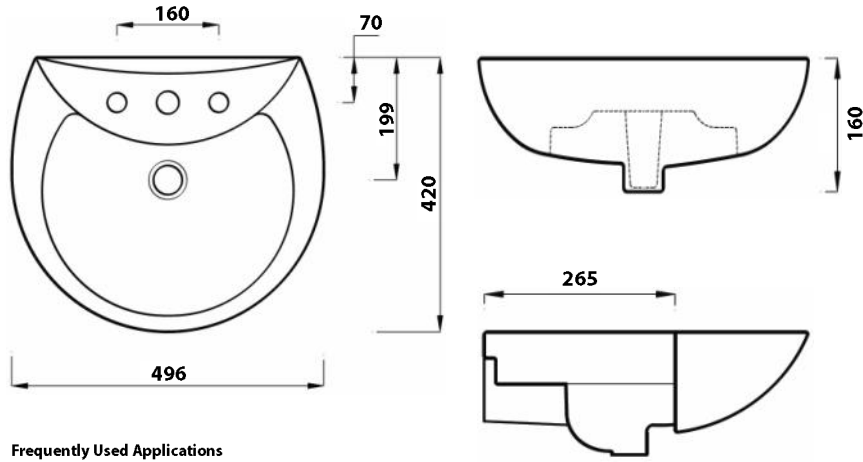


Product Info

Basin With 1 Tap Hole

Overflow & Chain Stay

Designed For Back To Wall Setting



Frequently Used Applications



Commercial Leisure Education Hotels

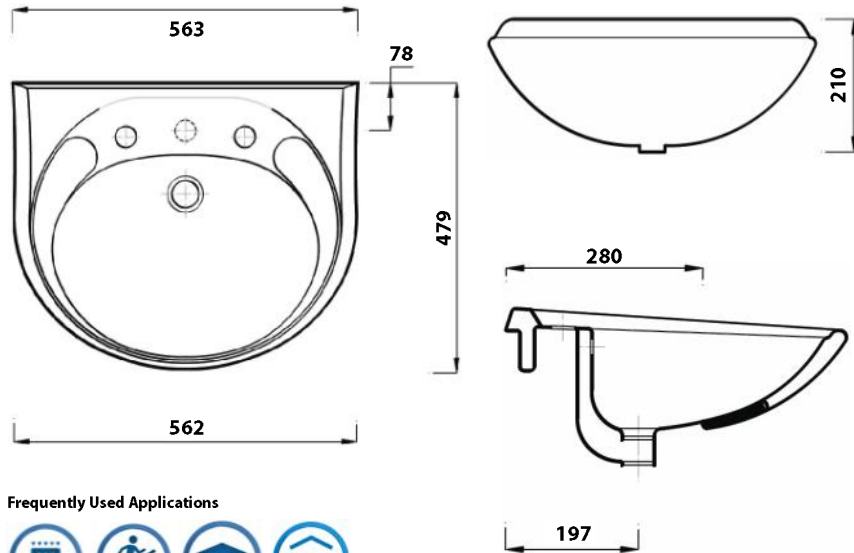


Product Info

Basin With 1 Or 2 Tap Holes

Overflow

Fixing Brackets



Frequently Used Applications



Commercial Leisure Education Hotels

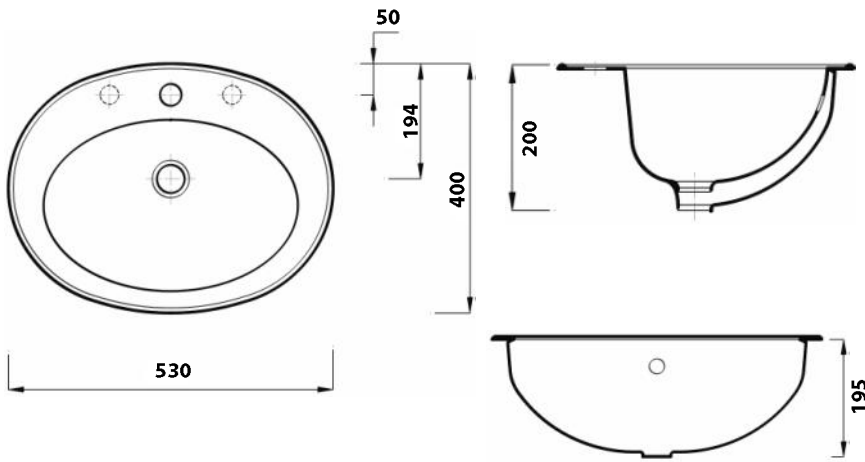


Product Info

Basin With 1 Or 2 Tap Holes

Overflow

Fixing Brackets



Frequently Used Applications



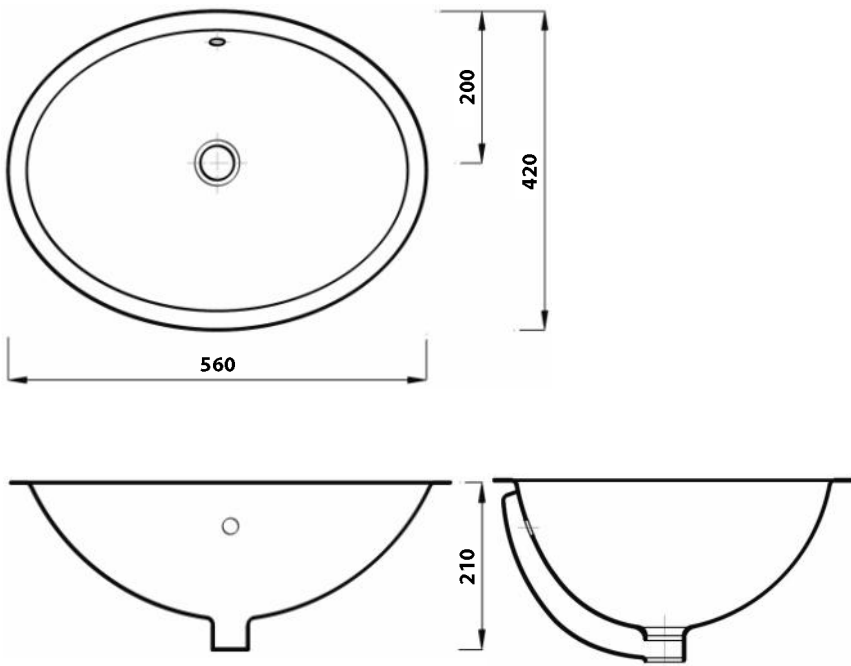
Commercial Leisure Education Hotels



Product Info

Basin With 1 Or 2 Tap Holes

Overflow



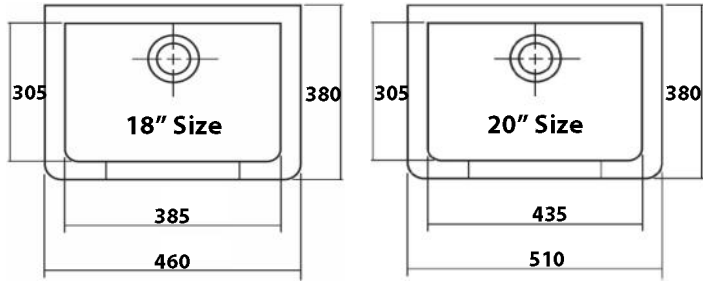
Frequently Used Applications



Commercial Leisure Education Hotels



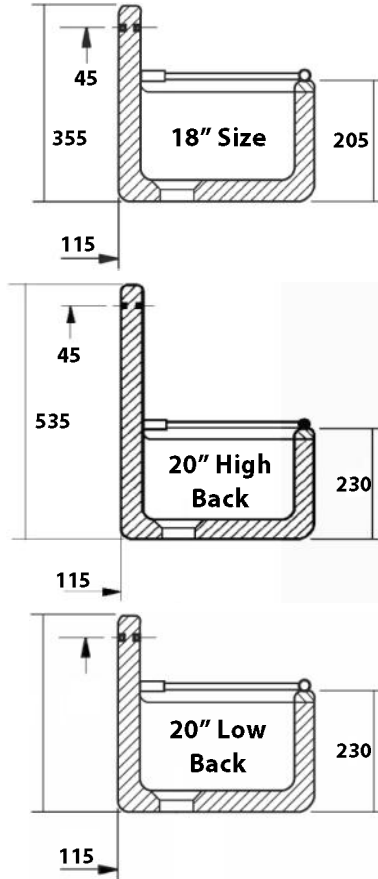
18" low back, 20" low back, 20" high back types available



Frequently Used Applications

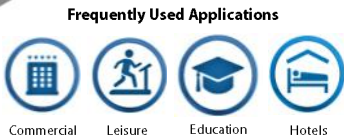


Product Info
Acid & alkali resistant glazed surfaces
Designed to withstand heavy use
Practical low backed model
Rubber pads
Stainless steel bucket grating
Floor or wall mounted
1 1/2 inch waste outlet

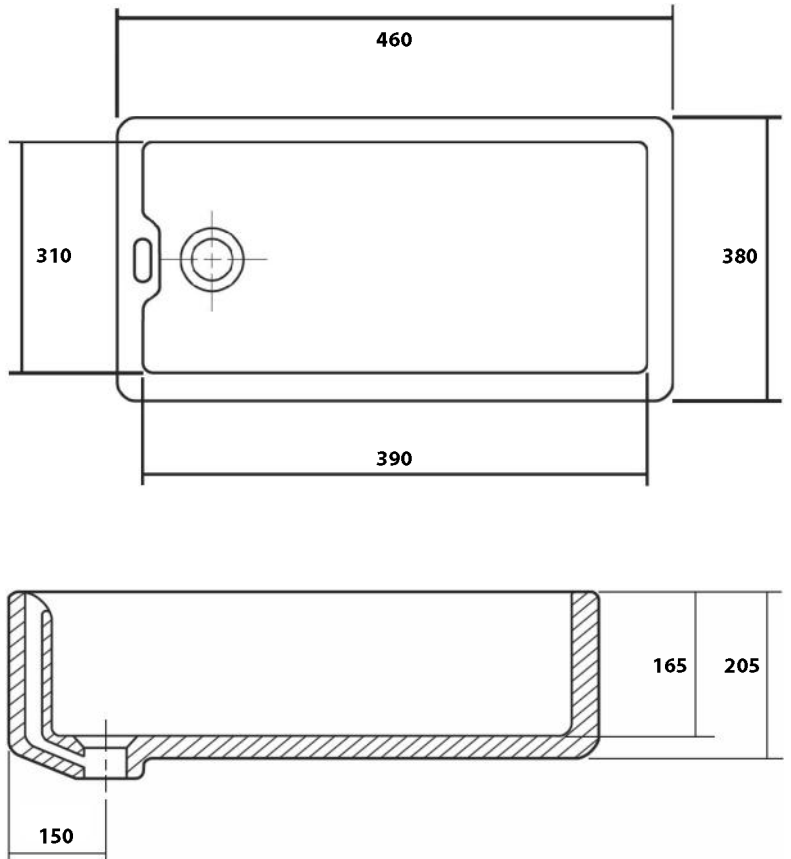


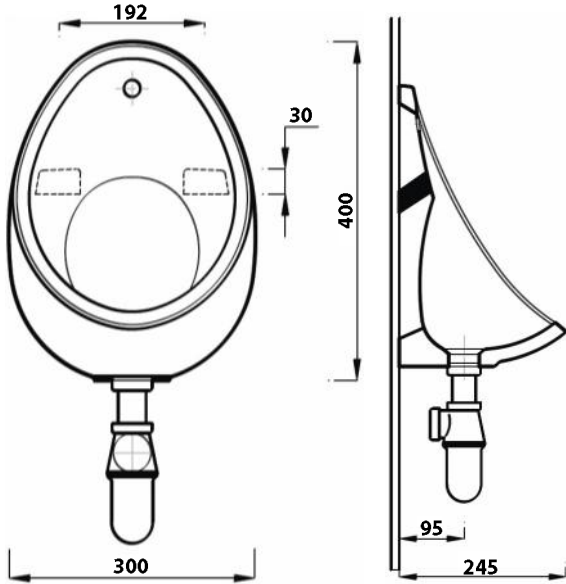
Belfast Sinks

Sink with chrome support bearers and waste kit



Product Info
Acid & alkali resistant glazed surfaces
Designed to withstand heavy use
Weir overflow
Centre end outlet
Floor or wall mounted
1 1/2 inch waste outlet





Product Info

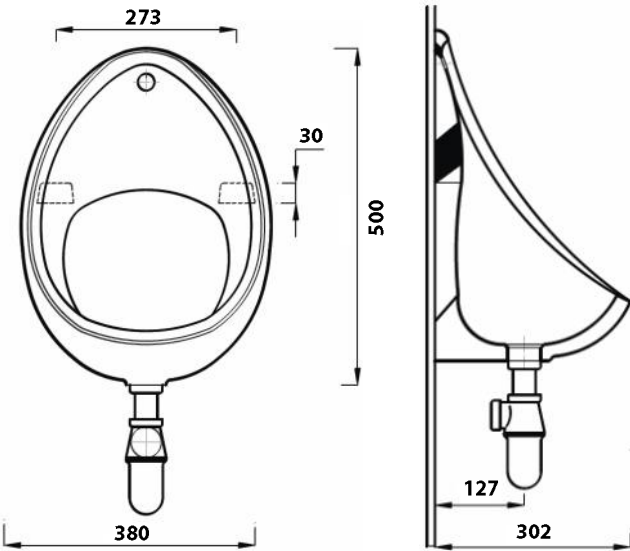
Top In Let Spreader

Chrome Hinged Dome Waste

Separator For Urinals Available

Brackets Included With Pipework

Frequently Used Applications



Product Info

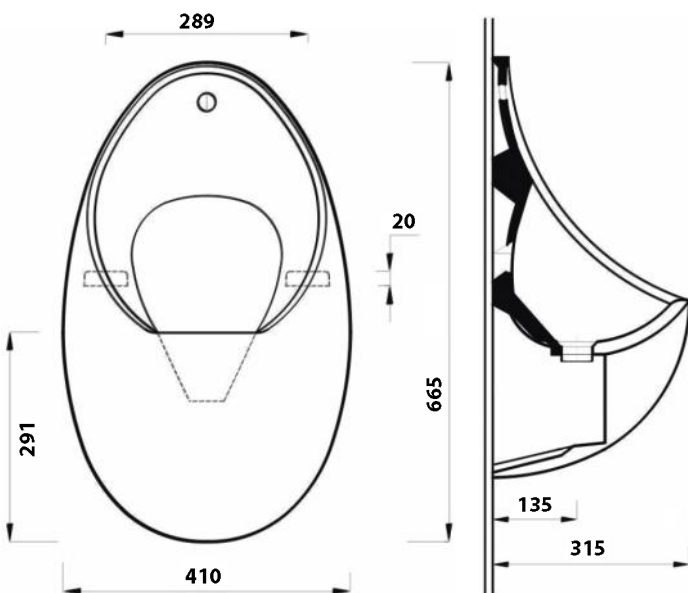
Top In Let Spreader

Chrome Hinged Dome Waste

Separator For Urinals Available

Brackets Included With Pipework

Frequently Used Applications



Product Info

Back In Let Spreader

Chrome Hinged Dome Waste

Separator For Urinals Available

Brackets Required

Frequently Used Applications



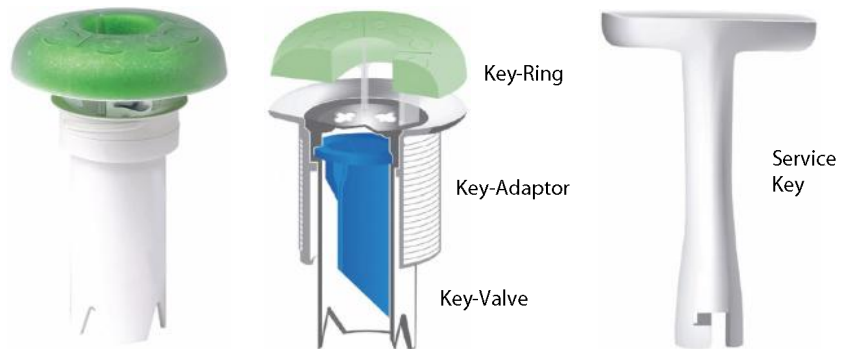


- Hotel, leisure and commercial
- Waterless Technology
- No Cistern/siphon required
- Compact Unit
- Allows liquid to flow into the drain, but prevents backflow of drain gasses
- Total life span depends on rate of usage
- Each valve can save between 20,000-40,000 litres of water per annum
- Key ring is biodegradable
- Green Key ring acts as an optical life cycle indicator keeping the membrane clean and creates a pleasant scent

Frequently Used Applications



Commercial Leisure Education Hotels



Header Tank - Cisterns

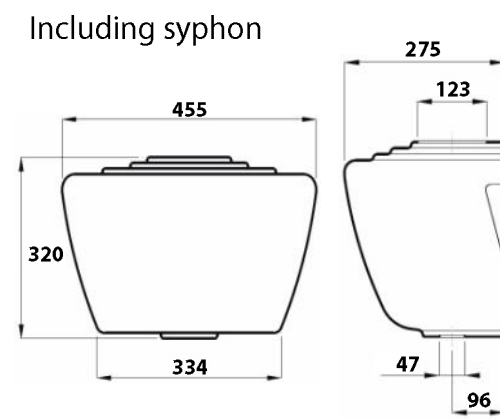
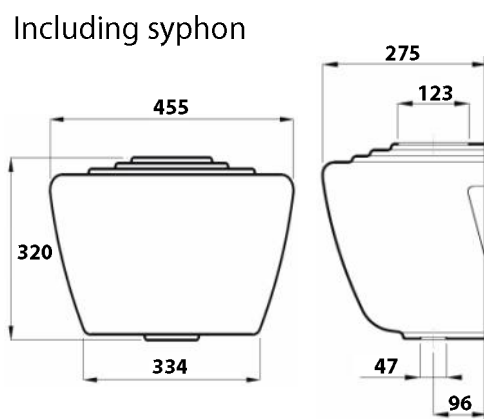
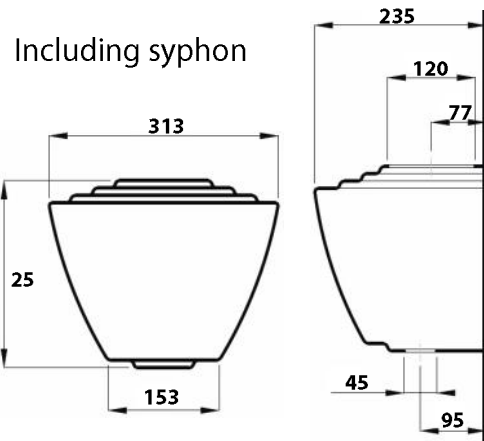
4.5ltr - 130/1720/4.5LTR



9.0ltr - 130/1720/9LTR



13ltr - 130/1720/13LTR





Valves Instruments Plus Ltd

Chaddock Lane, Astley, Manchester, M29 7JT

Tel: 01942 885700

Fax: 01942 887213

Email: sales@vip-ltd.co.uk

Web: www.vip-ltd.co.uk